

## EASILY CARRY OUT BY MULTIFUNCTIONAL FOOT PEDAL:

Automatical access to preset chair position  
 Automatical access to preset spittoon position  
 Automatic ON/OFF of operating light  
 Automatic spittoon rinse  
 Automatic cup filling  
 Intelligent return to the previous position  
 Adjustable chair positions  
 Dynamic instruments speed control  
 .....

Chair position adjustment

Spittoon position/Program position A

Previous treatment position/ Preset position B

Dynamic instruments work with/without water

Handpiece chip blow

Dynamic instruments working control



## SIGER U100

### STANDARD CONFIGURATION:

- Swing-type/ hanging-type dentist element
- Control panel for dentist
- Built-in intraoral X-ray film viewer
- Two 4-holes tubings for turbine
- One 4-holes tubing for air motor
- One 3-way syringe for dentist
- Control panel for assistant
- One 3-way syringe for assistant
- One hydraulic saliva ejector
- One pneumatic HV suction
- Patient chair of U100 type
- Multifunctional headrest
- Left armrest
- Balance arm with air lock system
- Multifunctional foot-pedal with program memory
- LED operating light
- Rotatable/detachable hygienic ceramic spittoon
- Distilled water system
- Cup filling system with warm water
- Dentist stool



Autoclavable silicon pad on instrument table.



Detachable ceramic spittoon and water letout for cleaning.



Detachable suction system for cleaning.



Distilled water/tap water switching system.

The height of the seat and backrest of dentist stool and the tilt of backrest can be adjusted to meet with ergonomics. Assistant stool is optional.



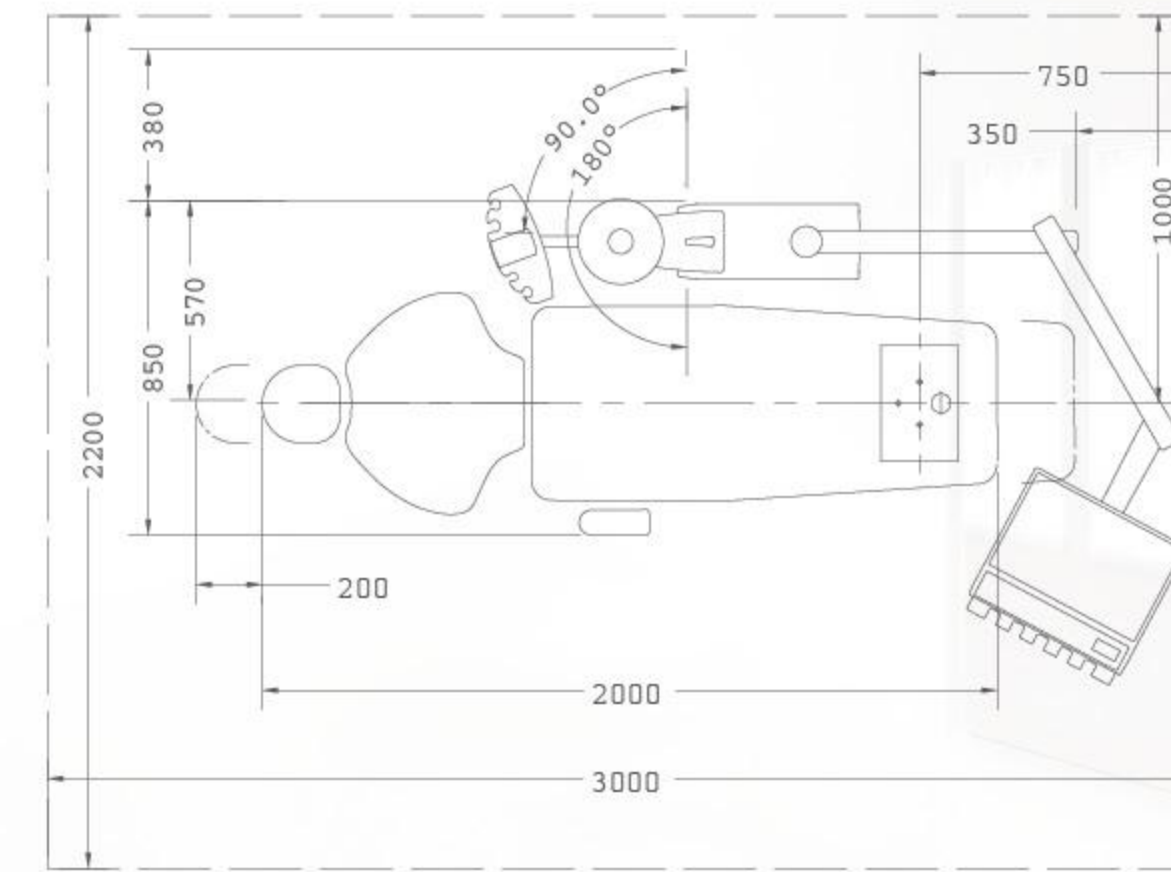
### OPERATING LIGHT WITH SENSOR

Apply to leading-edge LED technology and combined with scientific optical system, VIEWDENT LED dental operation light designed to achieve the perfect lighting solution for dental treatment.

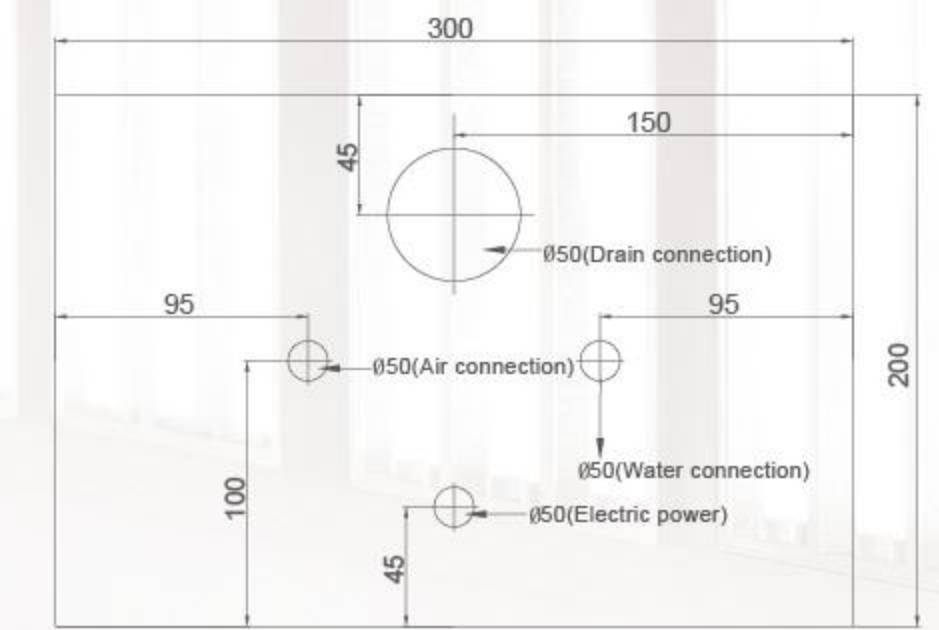
Illumination: 8000-30000LUX

Color Temperature: 4300°K

Spot Dimension: 70×140MM(@700MM)



Dental Chair Size Chart



Layout of floor box holes

### UPHOLSTERY COLOUR



U1# U2# U3# U4# U5# U6# U7# U8# U9# U10# U11# U12# U13#